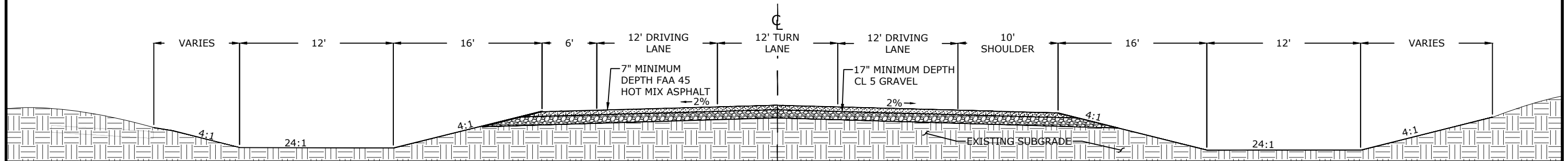
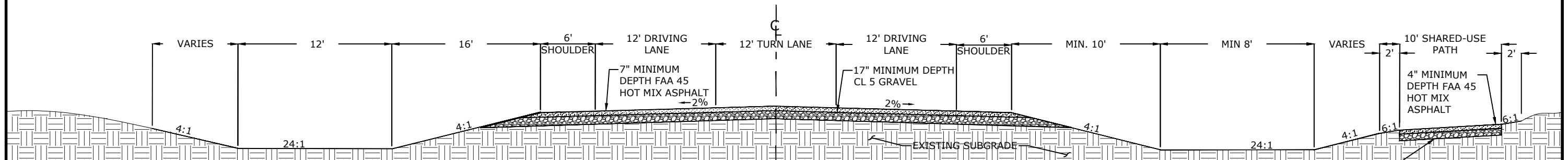


ALTERNATE B




PROPOSED TYPICAL SECTION 43RD AVE NE: 26TH ST TO MINNESOTA DR
NOT TO SCALE



PROPOSED TYPICAL SECTION 43RD AVE NE: MINNESOTA DR TO ROOSEVELT DR
NOT TO SCALE

This document is preliminary and not for construction or implementation purposes.

R:\Projects & Surveys\Projects\Project No. 0157 - 43rd Avenue Reconstruction from 26th St. to Roosevelt Dr\0307P_sur.dwg - Typical Sections-4 (2)-3/25/2020 1:24 PM-(enr)

				GOVERNING SPECIFICATIONS STANDARD SPECIFICATIONS FOR ROAD AND BRIDGE CONSTRUCTION ADOPTED BY THE NORTH DAKOTA DEPARTMENT OF TRANSPORTATION OCTOBER 2014; STANDARD DRAWINGS CURRENTLY IN EFFECT; AND OTHER CONTRACT PROVISIONS SUBMITTED HEREIN.		BURLEIGH COUNTY HIGHWAY DEPARTMENT 		BURLEIGH COUNTY P: 701.204.7748 F: 701.204.7749		DRAWN BY TJ		DATE 3/5/2020		43RD AVE NE RECONSTRUCTION BURLEIGH COUNTY HIGHWAY DEPARTMENT 8100 43RD AVE NE, BISMARCK, ND 58503		PROPOSED TYPICAL SECTION 43RD AVE NE PROJECT NO.0089		SECTION NO. 30	SHEET NO. 1
NO.	REVISION	DATE	BY																